

Series 73 Air Filter Regulator

Stable Output and Repeatability

Delivers clean, accurate air pressure in harsh environments.



The Norrisseal Series 73 Air Filter Regulator is designed to deliver clean, accurate air pressure to instruments, valves, and other automatic control equipment. This filter regulator has been proven to provide accurate operating characteristics in harsh industrial environments. The Series 73 is a quality unit that is ideal as an economical alternative for control of process applications.

Applications

The Series 73 is used extensively to regulate air pressure to pneumatic controllers, transmitters, transducers, valve positioners, air cylinders, and a wide range of pneumatic control systems.

Materials of Construction

- **Body** Diecast Aluminum Alloy, Baked Epoxy Finish
- **Filter** 40 Micron Nylon Mesh
- **Diaphragm** Nitrile Elastomer and Nylon Fabric
- **Valve Seat Plug** Nitrile Elastomer
- **Additional Materials** Brass, Zinc Plated Steel, Acetal

Features

- **Stable Output and Repeatability.** Provides constant control under variable flow rates and supply pressures.
- **Corrosion-Resistant Construction.** Aluminum die-castings are finished with baked epoxy paint.
- **Depth Filter.** Unit comes equipped with high capacity self-cleaning 40 micron filter housed in dripwell. Optional 5 micron filter available.
- **Self Relieving**
- **Low Droop at High Flow Levels.** Aspirator design helps maintain set pressure at higher flow rates.
- **Tight Shutoff.** A soft, elastomeric valve provides a positive shutoff and compensates for dirt and other foreign matter.

Contents

- 2 Specifications
- 2 Dimensions
- 3 Ordering Information

NORRIS
PRODUCTION SOLUTIONS

A DOVER COMPANY

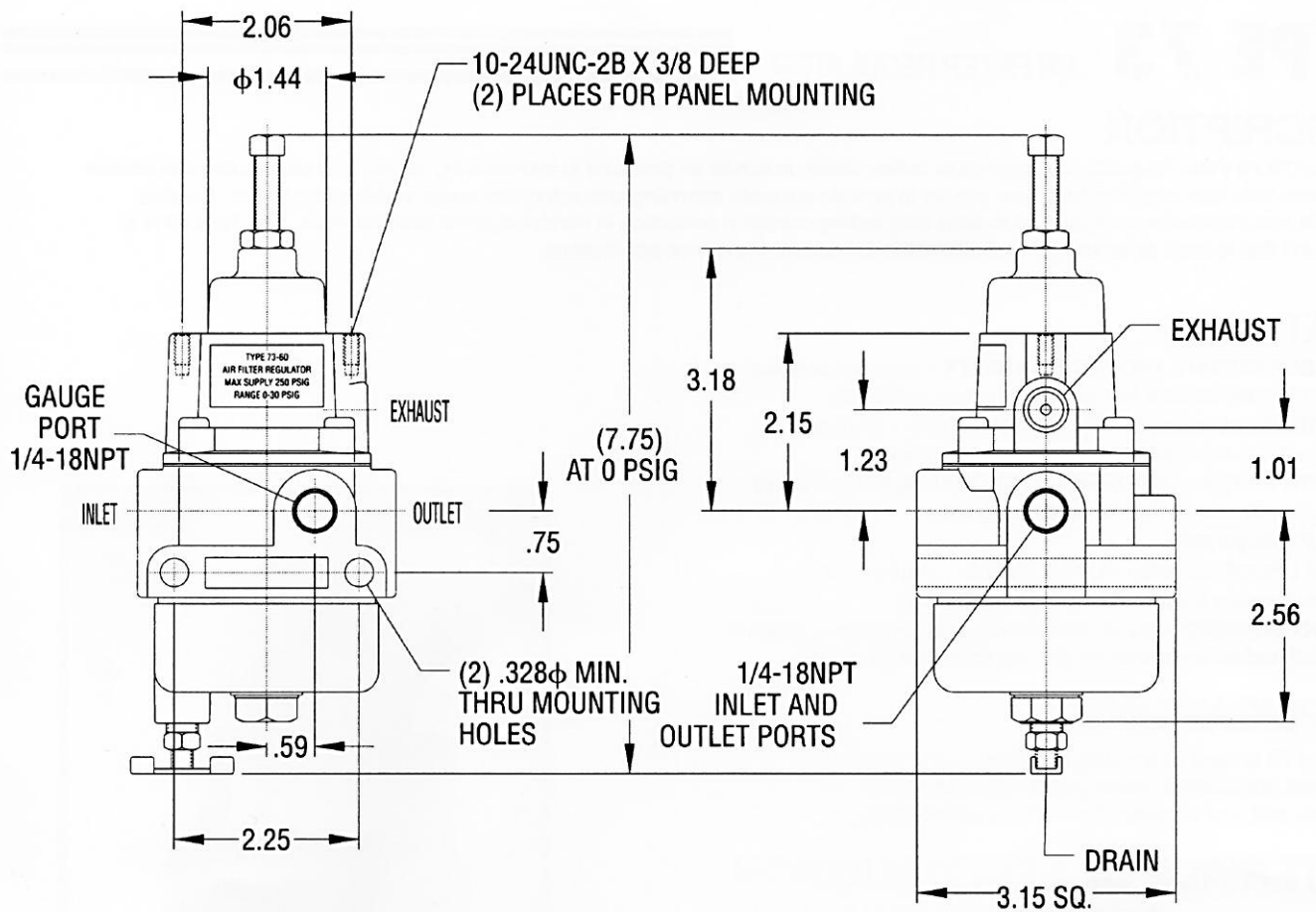
NORRISSEAL
A DOVER COMPANY

*Engineered
Performance*

Specifications

- **Port Size** (In, Out and Gauge) 1/4" NPT
- **Output Ranges** 0-30 psig (0-200 kPa)
0-60 psig (0-400 kPa)
0-120 psig (0-800 kPa)
- **Maximum Supply Pressure** 250 psig (1700 kPa)
- **Mounting** Pipe, through body or brackets
- **Flow Capacity** 20 SCFM (34.0 m³/hr) at 100 psig (700 kPa) supply with 20 psig (140 kPa) output
- **Exhaust Capacity** 0.1 SCFM (0.17 m³/hr) with downstream pressure 5 psig (35 kPa) above set point.
- **Sensitivity** 1" of water column (2.5 cm)
- **Air Consumption** Less than 6 SCFH (0.17 m³/hr)
- **Effects of Supply Pressure Variation** Less than .2 psig (1.4 kPa) for 25 psi (170 kPa) change
- **Weight** 1.8 lb. (.8 kg)

Dimensions



ORDERING INFORMATION

Model Number	Port Size (NPT)	Output Range	
		psig	kPa
73-30	1/4"	0-30	0-200
73-60	1/4"	0-60	0-400
73-120	1/4"	0-120	0-800

Options

Add proper suffix to end of model number

- **A:** Bronze backmounted pressure gauge
- **B:** SST backmounted gauge
- **H:** SST adjusting screw and SST jam lock nut
- **I:** Knurled plastic knob with SST threaded shank and SST jam lock nut
- **L:** 1-Bolt flat mounting bracket (diaphragm housing bolt circle mount)
- **M:** 2-Bolt "L" mounting bracket (yoke or wall mount)
- **Q:** 5 micron filter
- **R:** 0.25" NPT tapped exhaust connection
- **V:** Viton pintle and diaphragm
- **W:** NACE MR-01-75 compliance

Why you can depend on genuine Norriseal products

- In-house engineering and technical support
- In-depth applications experience
- Award-winning innovation and ongoing product development
- ISO 9001:2008 certified manufacturing
- Over five decades of industry service
- Compliance with all industry standards and specifications
- Responsive service and prompt delivery
- Field support available worldwide

Please contact your Norriseal representative for more details and assistance in specifying the optimal solution for your application.



Engineered Performance

11122 West Little York • Houston, Texas 77041

Tel: 713-466-3552 • Fax: 713-896-7386

www.norriseal.com