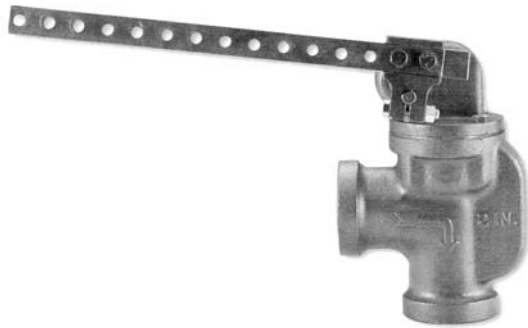


Installation & Operation Instructions for Series 1250 Lever-Operated Valve



Application

The WellMark Lever-Operated “dump” Valve is used in conjunction with the Series 1850 Float Nose to dump oil or water from separators, knockouts, treaters and other accumulators. Features include

- ◆ 500 psi Working Pressure, standard
- ◆ Ductile Iron Body and Bonnet
- ◆ Globe or Angle Body configuration
- ◆ Balanced Double Seats for High Flow
- ◆ No Diaphragms to rupture

Specifications

Maximum Working Pressure:	500 psi
End Connections	2" Female NPT Threaded
Materials	
Body 2" Globe or Angle	Ductile Iron
Bonnet	Ductile Iron
Trim	Viton® Molded Plug, Integral Seat
Stem	303 Stainless Steel
Stuffing Box	Steel

Installation

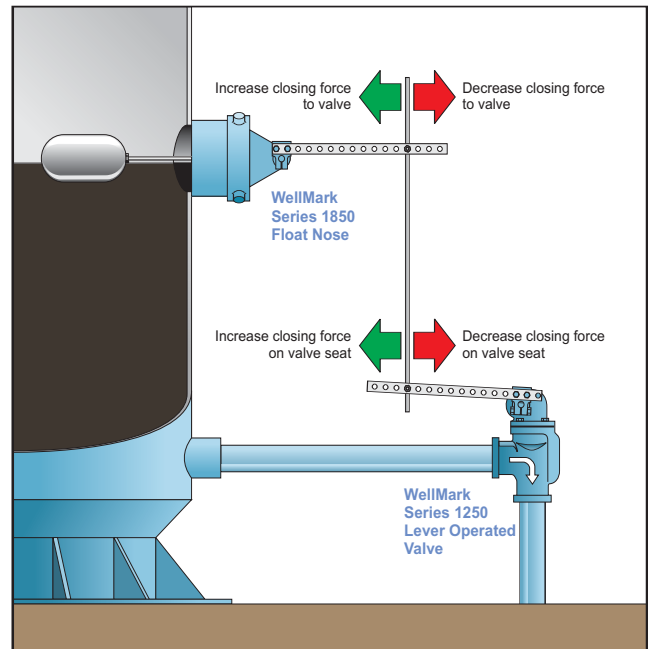
Valve should be installed on properly configured pipe or fittings with suitable thread sealant or anti-seize compound. Do not over-tighten.

Connect the Rod and Ball Joint from the Float Nose to the valve Lever (25) as illustrated. Adjust the placement of the Rod as necessary to tune the closing force of the connected valve.

Operation

The Lever-Operated Valve is mechanically operated in conjunction with the connected Float Nose. As the float in the Float Nose rises, downward pressure is applied via the Rod to the Lever of the valve. This pressure acts upon the Hinge Assembly (13) and Linkage (12), transferring a rising motion to the Stem (4) and Plugs (2). As these components rise off the seats, the valve opens, allowing fluid to pass. The dual plug design creates a semi-balanced condition and enhances flow characteristics.

Once the fluid level in the vessel lowers, the float will drop causing the



Float Nose lever to rise. The connected Rod then raises the Lever on the valve causing the Stem and Plugs to once again lower and seal on their respective seats.

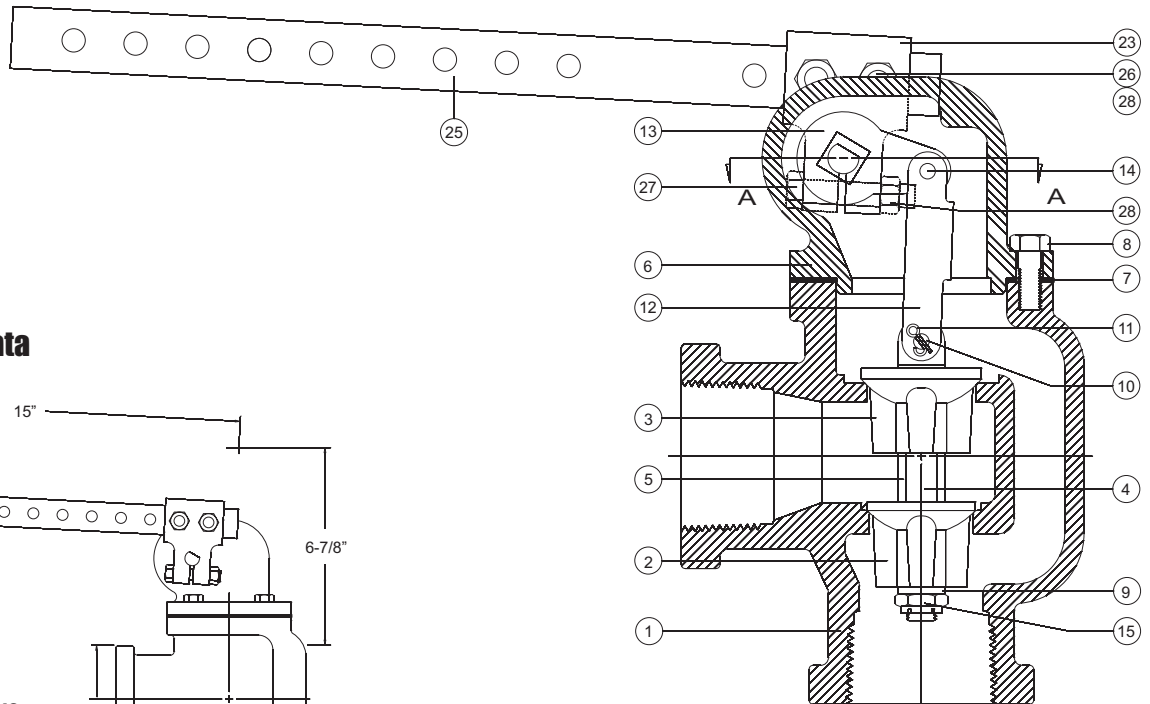
It is important to note that the force generated by the float will vary with the specific gravity of the liquid in which it is used. Other variables that can affect the total force are the position and angle of the rod connection. Consideration should be given to these aspects when designing a system layout and specifying components.

Maintenance

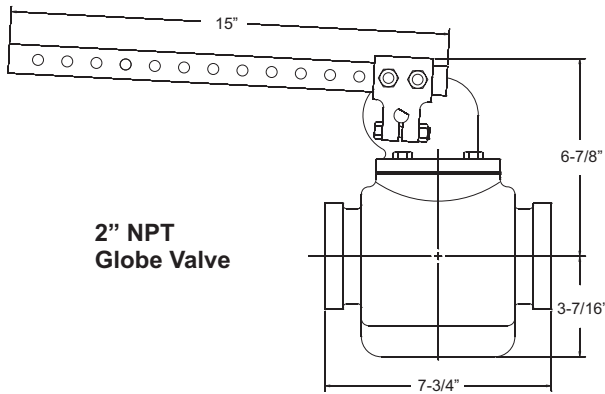
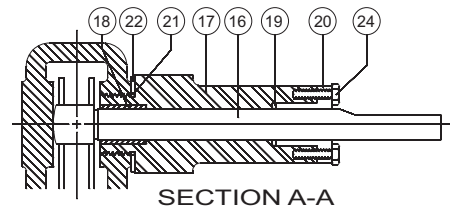
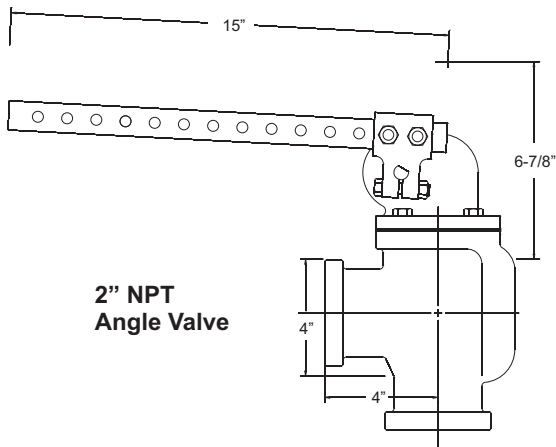
The WellMark Lever-Operated Valve requires no routine maintenance. However, severely erosive or corrosive duty may result in premature wear of the plugs and/or seating area. Should this occur, the plugs can be easily accessed as follows:

IMPORTANT! Valve MUST be isolated from all system pressure prior to disassembly. Failure to do so may result in spillage, severe damage and/or personal injury.

Disconnect the Rod from the Valve Lever. Remove four Cap Screws (8) and lift Bonnet, Linkage, Stem and Plugs from the Body as an assembly. The Plugs may now be removed and replaced by removing the Flex-Loc Nut (15) from the bottom of the stem. Clean both seating areas. Clean linkage making sure that all parts move freely and replace the assembly in the Body. Re-install the four Cap Screws and tighten them snugly. Re-attach Rod to valve Lever.



Dimensional Data



Parts List, Materials & Part Numbers

Item	Description	Qty.	Part No.
1	BODY, 2" NPT ANGLE, DUCTILE IRON	1	05010-1211
	BODY, 2" NPT GLOBE, DUCTILE IRON	1	05012-3611
2*	BOTTOM PLUG, VITON®	1	05011-3984
3*	TOP PLUG, VITON®	1	05011-3976
4	STEM, INNER, ASTM A-582 TY.303	1	05010-1435
5	SPACER, ASTM A-582 TY.303	1	05011-3455
6	BONNET, DUCTILE IRON	1	05010-0809
7*	GASKET/MOLDED BUNA-N	1	05011-0816
8	CAP SCREW, ASTM A-307 GR.B	4	05000-1874
9	WASHER, ASTM A-582 TY.303	1	05010-1492
10	HINGE PIN, STAINLESS STEEL	1	05010-2037
11	COTTER PIN, MONEL	1	05000-0239
12	LINKAGE, ASTM A-167 TY.304	1	05010-2052
13	HINGE ASSY., ASTM A-167 TY.304	1	06500-0614
14	RIVET, ASTM A-582 TY.303	1	05010-2094
15	FLEX-LOC NUT, STAINLESS STEEL	1	05000-2062
16	STEM, ASTM A-582 TY.303	1	05010-0999
17	STUFFING BOX, ASTM A-108GR.1018	1	05010-0965
18	BEARING, OILITE BEARING	1	06000-0015
19*	O-RING, BUNA-N	1	05000-0207
20	RETAINER CAP, DELRIN	1	05010-0973
21*	O-RING, BUNA-N	1	05000-0082
22*	GASKET, DELRIN	1	05011-1665
23	LEVER COLLAR, CAST STEEL	1	05010-0841
24	CAP SCREW, STAINLESS STEEL	3	05000-1585
25	LEVER, 15", ASTM A-36	1	05010-3910
26	CAP SCREW, ASTM A-307 GR.B	2	05000-1874
27	CAP SCREW, ASTM A-307 GR.B	1	05000-1916
28	HEX NUT, ASTM A-307 GR.B	3	05000-2104

*Recommended Spare Part